

Autopower Roll Bars and Roll Cages



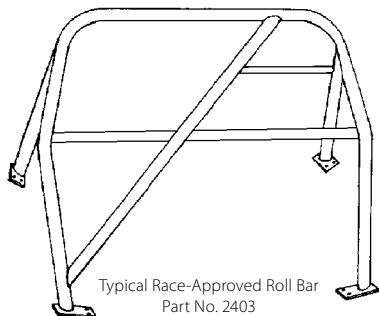
Autopower is the leader in quality roll bars and cages. Their high standards of workmanship are unsurpassed. Autopower was the first manufacturer of roll bars to be licensed and certified by the SCCA. Roll bars include backup plates and grade 5 mounting hardware. Autopower roll bars are constructed of 1.75 O.D. x .120 wall DOM (Drawn Over Mandrel) mild steel tubing. Roll cages are constructed of 1.50 O.D. x .120 wall or 1.75 O.D. x .120 wall DOM mild steel tubing, depending on car weight.

Note: The SCCA now requires DOM tubing in all cars regardless of vehicle weight and racing class.

Important Information About Ordering Your Roll Bar or Roll Cage

- Allow 4 to 8 weeks for delivery depending upon the time of year.
- Don't be disappointed - ORDER EARLY!
- Bars and cages are shipped freight collect directly from the factory via truck freight.
- When ordering, give us the year, make, model, racing class and specify whether or not your car has a factory installed sunroof.
- Give us a call if you have ANY questions!

ROLL BARS



Typical Race-Approved Roll Bar
Part No. 2403

Race Approved Roll Bar This bar has a diagonal brace, a horizontal seat back brace (now standard) and a small restraint bar behind the driver's seat. The cross braces are normally welded in place; however, bolt-in options are available to allow rear seat use off the track; see below.

Race Approved Roll Bar, 1.75" O.D. DOM

Part No. 2403-1.75-DOM \$529.00

Note that SCCA requires a full roll cage for all road racing classes.

Optional Bolt-in Cross Braces This option must be ordered at the same time as your roll bar.

Optional Bolt-in Cross Braces...Part No. 2408 \$99.99

Replaces the welded braces included with roll bar; can be removed when not racing to allow use of the back seat.

High-Density Foam

Perfect for headrest padding!



High Density Foam Meets and exceeds SFI 45.2 specifications for foams used in cockpit areas for driver safety in motorsports. EIS W50 high-density foam was developed in accordance with the higher standards governing the materials that can be used for head protection in CART, the IRL, and many other sanctioning bodies. This foam can be used for a variety of applications including, but not limited to, headrests and seat inserts. Foam sheet is 1 inch thick and is available in 3 sizes.

Foam Sheet, 9 x 16" Part No. 2396-9x16 .. \$19.99

Foam Sheet, 16 x 18" Part No. 2396-16x18 .. \$32.99

Foam Sheet, 16 x 36" Part No. 2396-16x36 .. \$58.99

Clamp-On Bracket Reducers

New!



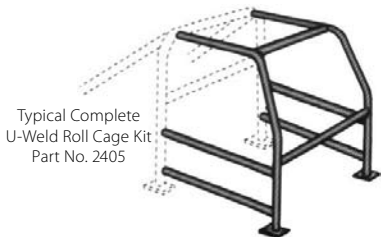
Clamp-On Bracket Reducers How do you mount a clamp-on accessory to your roll cage if your tubing isn't 1 3/4" OD? Use these clever aluminum adapter sleeves! Three sizes are available to reduce 1 3/4" ID clamp-on brackets to fit 1 1/4", 1 1/2", or 1 5/8" OD tubing. Just install your clamp-on accessory right over the reducer. U-channel groove will not allow the bracket to slip off the reducer. Sold in pairs; one pair will fit one clamp-on bracket.

Clamp-On Reducers, pair (for one bracket)

1 1/4" Tubing.....Part No. 1318-025-1.250 ... \$5.99

1 1/2" Tubing.....Part No. 1318-025-1.500 ... \$5.99

1 5/8" Tubing.....Part No. 1318-025-1.625 ... \$5.99



Typical Complete U-Weld Roll Cage Kit
Part No. 2405

Complete U-Weld Roll Cage Kit Includes DOM race-approved roll bar, 2 forward support braces, top windshield cross bar, under dash cross bar, left and right door guards, mounting plates and hardware. Parts are precision cut and bent for each individual model; however, final fitting and welding is required.

U-Weld Roll Cage Kit, DOM Tubing for cars up to 3000 lbs.

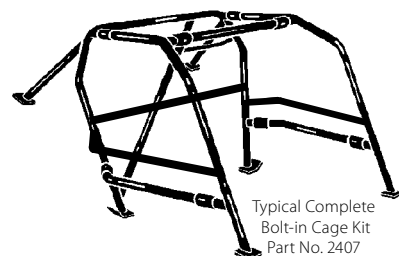
Part No. 2405-1.50-DOM \$919.00

U-Weld Roll Cage Kit, DOM Tubing for cars up to 4000 lbs.

Part No. 2405-1.75-DOM \$919.00

U-Weld Front Cage Kit Combine this kit with an existing Autopower Race Approved Roll Bar to make a legal 6-point roll cage. Tube sizing will be determined by Autopower when you place your order. Kit includes all necessary hardware and back-up plates and features 4 top corner gussets, under-dash bar, 4 door bars, forward support braces, and a top windshield cross tube.

U-Weld Front Cage Kit..... Part No. 2413-001 . \$389.99



Typical Complete Bolt-in Cage Kit
Part No. 2407

Complete Bolt-in Cage Kit These precision made kits include a race-approved roll bar, double door bars, sleeves, backing plates and hardware. You supply a 3/8" drill and hand tools to install the six-point cage.

Bolt-in Cage Kit, DOM Tubing for cars up to 3000 lbs.

Part No. 2407-1.50-DOM \$879.00

Bolt-in Cage Kit, DOM Tubing for cars up to 4000 lbs.

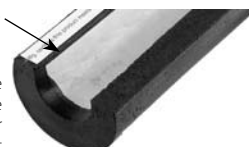
Part No. 2407-1.75-DOM..... \$879.00

Roll Bar Padding



Pressure sensitive adhesive lining

Note C-shape profile to cover only the side of the tubing that your helmet may contact



High-Density Energy Absorbing Roll Bar Padding This padding has an offset hole to fit where clearance is tight on one side, and to position the padding where it will do the most good (thin side is about 1/2" thick; thick side is 1" thick). The padding can be slipped onto a removable brace or can be slit and snapped over a permanently installed bar. Hold it in place with gasket cement, tape or cable ties. Furnished in 3 foot lengths. One size fits 1.50" to 1.75" diameter bars.

Roll Bar Padding Part No. 2390-Color .. \$4.99

Specify black, blue, red (actually slightly pink), yellow, or light gray.

SFI 45.1 Rated Roll Bar Padding This super-rigid padding is designed for use wherever a helmet can contact a roll bar and is strongly recommended by the SCCA. (Other parts of the body should be protected with our standard roll bar padding at left.) We now offer two sizes to fit different roll cage applications. C-shape profile covers only one side of the bar. A self-adhesive lining on the inside aids in installation. Sold in 36" sections.

SFI Rated Roll Bar Padding ... Part No. 2391-Color.. \$16.99

Fits 1.12 - 1.5" diameter roll bars; specify black, blue or red.

SFI Rated Roll Bar Padding ... Part No. 2395-Color.. \$16.99

Fits 1.625 - 2" diameter roll bars; specify black, blue or red.

Roll Bar Mounted Drink Holder



Adjustable Brackets

Anodized Aluminum Drink Holder with Roll Bar Tube This lightweight anodized aluminum drink holder is designed to mount to your roll bar tube. The adjustable bracket allows the holder to be mounted at different angles. Includes a large capacity double insulated bottle with drinking tube. A "bite valve" is also furnished to avoid leaks from the drinking tube. Replacement bottles and bite valves are also available. Two sizes are available.

Drink Holder for 1.5" Roll Bar...Part No. 22553... \$60.99

Drink Holder for 1.75" Roll Bar...Part No. 22551... \$60.99

Replacement Bottle w/ Hose...Part No. LA22556... \$14.99

Spare Bite Valve.....Part No. 900135.... \$8.49

Roll Bar Hooks and Brackets



Helmet Hooks This lightweight aluminum bracket clamps onto your roll bar to hang your helmet between sessions. Available in two sizes, 1.50" and 1.75".

Helmet Hook for 1.50" roll bar...Part No. HH1003.. \$15.99

Helmet Hook for 1.75" roll bar...Part No. HH1004.. \$15.99

Steering Wheel Hook This black anodized aluminum hook clamps onto your roll bar to hang your steering wheel. Available in two sizes, 1.50" and 1.75".

Wheel Hook for 1.50" roll bar...Part No. LA22577.. \$17.99

Wheel Hook for 1.75" roll bar...Part No. LA22576.. \$17.99

Universal Roll Bar Brackets Try these universal aluminum roll bar brackets for mounting panels, mirrors, almost anything to your roll bar. Holds items 3/4" from bar. Available in two sizes, 1.50" and 1.75". Sold individually.

Universal Bracket for 1.50" bar...Part No. 22757.... \$17.99

Universal Bracket for 1.75" bar...Part No. 22755.... \$17.99