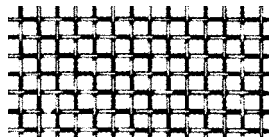
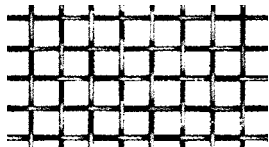


## Wire Cloth

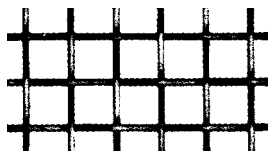
The drawings below represent actual mesh size.



#10 Mesh  
0.025" wire diameter  
0.075" opening size  
56% open area  
Part No. 3640

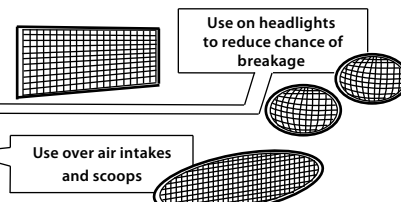


#6 Mesh  
0.035" wire diameter  
0.132" opening size  
63% open area  
Part No. 3641



#4 Mesh  
0.047" wire diameter  
0.203" opening size  
66% open area  
Part No. 3642

There are many uses for this heavy-duty, corrosion resistant woven material. The stainless steel wire cloth is excellent for protecting radiators, oil coolers, air intakes, lights and the passenger compartment from debris such as stones, bolts or other road hazards. For larger panels or panels of any size that are in especially vulnerable positions, use the coarsest mesh. If you need to protect from larger, heavy objects as well as smaller, lightweight objects, you may want to combine more than one mesh in a sandwich. Can be fabricated into just about any shape using standard sheet metal techniques. To make a rigid self-supporting screen, the edge of the panel can be riveted into a sheet metal frame using a backup strip.



Use over air intakes and scoops

Use on headlights to reduce chance of breakage

### Type 304 Stainless Steel Wire Cloth:

Fine Mesh, 10 openings per inch, .025" wire, 12" x 18" sheet	Part No. 3640-12x18	\$11.99
Fine Mesh, 10 openings per inch, .025" wire, 18" x 24" sheet	Part No. 3640-18x24	\$17.99
Fine Mesh, 10 openings per inch, .025" wire, 24" x 36" sheet	Part No. 3640-24x36	\$29.99
Medium Mesh, 6 openings per inch, .028" wire, 12" x 18" sheet	Part No. 3641-12x18	\$12.79
Medium Mesh, 6 openings per inch, .028" wire, 18" x 24" sheet	Part No. 3641-18x24	\$18.99
Medium Mesh, 6 openings per inch, .028" wire, 24" x 36" sheet	Part No. 3641-24x36	\$29.99
Coarse Mesh, 4 openings per inch, .047" wire, 12" x 18" sheet	Part No. 3642-12x18	\$12.99
Coarse Mesh, 4 openings per inch, .047" wire, 18" x 24" sheet	Part No. 3642-18x24	\$19.99
Coarse Mesh, 4 openings per inch, .047" wire, 24" x 36" sheet	Part No. 3642-24x36	\$29.99

## Weber 32/36 DGV Carburetors and Parts

### Complete Weber 32/36 DGV Carburetors

Description	Part No.	Price
Stock 32/36 DGV Carburetor (see chart below)	1580-Stock	\$429.99

The stock carburetor is shipped with the following calibrated parts:

	Primary	Secondary
Main Jet	140	135
Air Jet	165	160
Idle Jet	55	50
Emulsion Tube	F50	F6

Ivey Prepared 32/36 DGV Carb for the Ford 1.6L Engine	1580-Prep-16	\$629.00
Ivey Prepared 32/36 DGV Carb for the Ford 2.0L Engine	1580-Prep-20	\$629.00

### Calibrated Parts for Weber 32/36 DGV Carburetors

Description	Part No.	Price
Main Jet, specify size (items 24 & 24-A in drawing)	1583-Size	\$6.49
Stocked sizes: 115 to 210 by 5's.		
Air Jet, specify size (items 79 & 79-A in drawing)	1584-Size	\$6.49
Stocked sizes: 130 to 210 by 5's.		
Idle Jet, specify size (items 38 & 38-A in drawing)	1587-Size	\$6.49
Stocked sizes: 45 to 80 by 5's.		
F6 Emulsifying Tube, 14 holes near bottom	1585-F6	\$12.99
F66 Emulsifying Tube, 12 holes near top	1585-F66	\$12.99
F50 Emulsifying Tube, 16 holes even higher	1585-F50	\$12.99
(Emulsifying Tubes are items 78 & 78-A in drawing.)		

### Other Parts for Weber 32/36 DGV Carburetors

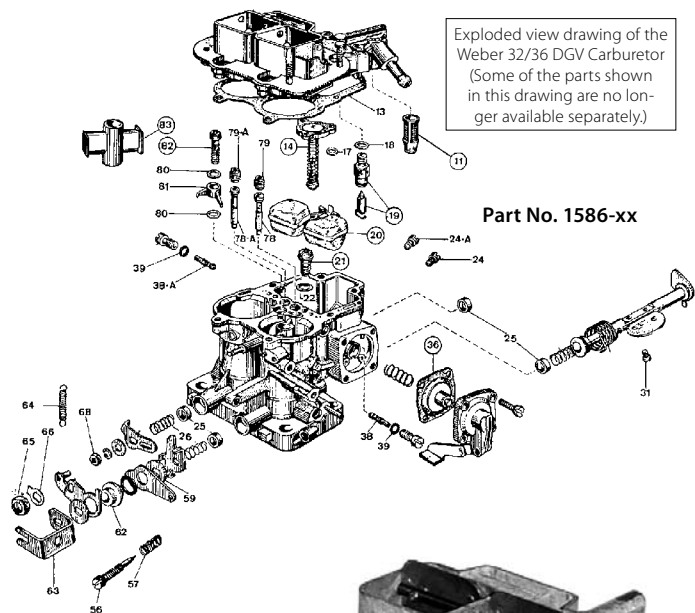
Description	Part No.	Price
Rebuild Kit (includes 3 items listed below)	1588	\$26.99
Needle and Seat Assembly, 200 size	1586-18	\$16.99
Accelerator Pump Diaphragm Assembly	1586-36	\$12.99
Gasket Set	1582	\$12.99
Gasket set includes top cover gasket, thin paper base gasket, assorted copper sealing washers and assorted O-rings.		
Phenolic Carb Spacer Plate with two gaskets	164-14	\$21.99
Thin Carb to Manifold Gasket only (approx. 0.032" thk.)	1586-Gasket	\$3.49

The suffix on the following part numbers (1586-xx) are identified in the exploded view drawing shown to the left.

Weber Internal Fuel Filter Element	1586-11	\$5.49
Top plate gasket	1586-13	\$7.99
Needle and Seat Assembly, 250 size (see above for 200 size)	1586-19	\$18.99
Plastic Float	1586-20-Plastic	\$29.99
Float Gauge for Plastic Floats	1586-Gauge1	\$9.99
Float Gauge for Brass Floats	1586-Gauge2	\$9.99
Easy-to-use tool for measuring float height on Weber 32/36DGV carburetors.		
Full Power Needle Valve Assembly	1586-21	\$12.99
Shaft Retaining Bushing	1586-25	\$3.49
Throttle Shaft Bearing Kit	1579-001	\$19.99
Prevents wear to the carburetor body and vacuum leaks. No machining required!		
Throttle Plate Screw, Weber 32/36 DGV	1586-31	\$1.99
Accelerator Pump Diaphragm Assembly	1586-36	\$12.99
Idle Jet O-ring	1586-39	\$1.49
Idle Adjusting Screw	1586-56	\$4.29
Spring for Idle Adjusting Screw	1586-57	\$1.89
Washer for Loose Lever	1586-59	\$1.49
Bushing for Loose Lever	1586-62	\$4.49
Synchronous Throttle Linkage Kit	1579-002	\$44.99
Throttle Control Lever	1586-63	\$6.99
Secondary Return Spring	1586-64	\$2.49
Primary Shaft Nut	1586-65	\$2.59
Primary Shaft Lock Tab	1586-66	\$1.49
Secondary Shaft Fixing Nut	1586-68	\$1.49
Accelerator Pump Jet, Dual Outlet	1586-81	\$10.29
Accelerator Pump Delivery Valve Assembly	1586-82	\$8.39
Auxiliary Venturi (primary or secondary)	1586-83	\$26.99
Haynes Weber Carburetor Shop Manual	5313	\$18.99
Weber Carburetors (Book)	5326	\$19.99

Exploded view drawing of the Weber 32/36 DGV Carburetor (Some of the parts shown in this drawing are no longer available separately.)

Part No. 1586-xx



**New!**



Above:

Synchronous Throttle Linkage Kit  
Part No. 1579-002  
Converts the progressive DGV carburetor to open the primary and secondary throttles together for better throttle response



Stock 32/36 DGV Carburetor  
Part No. 1580-Stock